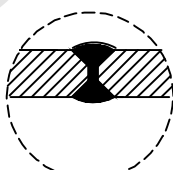
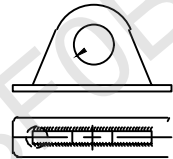
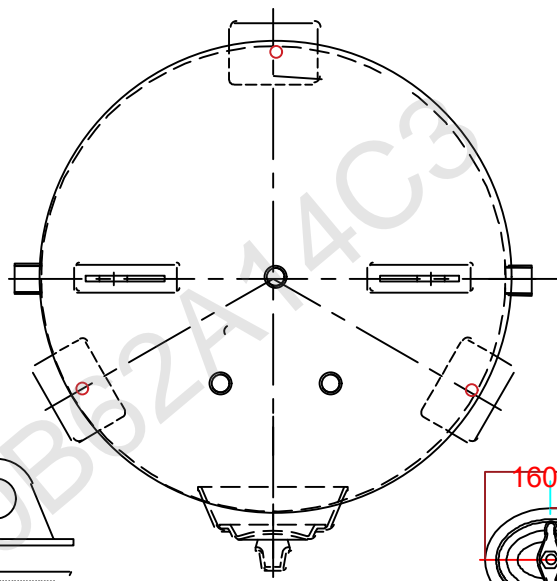
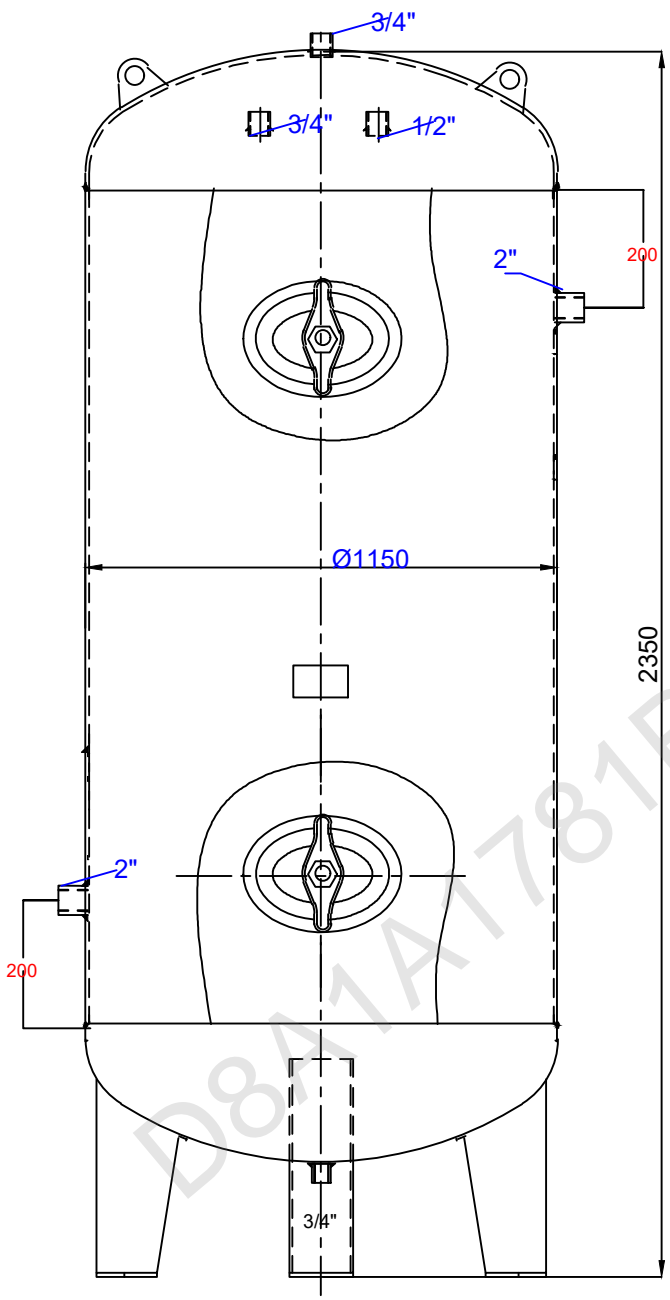
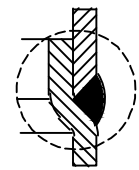


R= 0.8 X Ø  
 r=0,154 X Ø

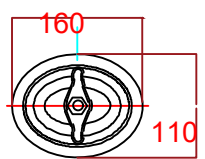
WPS NO:VP-03



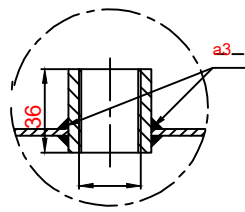
Page70-Figure 7.3.2.5  
 WPS NO:VP-03



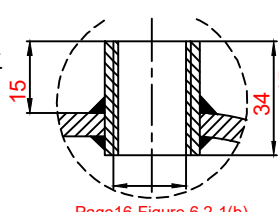
Page70-Figure 7.3.2.5



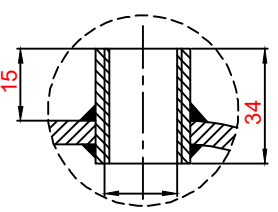
Page16-Figure 6.2-1(a)  
 WPS NO:VP-01



Page16-Figure 6.2-1(b)  
 WPS NO:VP-01



Page16-Figure 6.2-1(b)  
 WPS NO:VP-01



Page16-Figure 6.2-1(b)  
 WPS NO:VP-01

	Date	Name	Signature	Design No	Scale
Prepared by		C. KARALI		1150.URT.005	1/10
Drawn by		C. KARALI		Drawing Norm:	
Checked by		U. KARALI			

**URT ENGINEERING PRESSURE VESSEL TANKS**  
 Capacity: 2000 Lt 11 bar Air Tank  
 Working pressure: 11 bar  
 Testing pressure: 16,5 bar